

TROMBER GENERAL INFORMATION

TROMBER is an electric vehicle. Has been designed to offer an improvement in work conditions.

It gives you an economic efficiency, with security and confort on driving.

TROMBER is 100% electric, without any carburant consumption and respectful with the enviroment.

TECHNICAL SPECIFICATIONS OF TROMBER

ELECTRIC EQUIPMENT

48V Operating tension

500 W Brushless Motor

20A Lithium battery

AUTONOMY/CHARGER

4 h Time to charge

35 Km Autonomy

5 years useful life

FEATURES

Carbon steel chassis

Ø370 mm Front wheel

Ø320 mm Rear wheel

GENERAL MEASURES

680 x 1450 x 1200 mm Dimensions

50 Kg equipment weight

250 Kg Gross weight



TROMBER

TROMBER, is an electric vehicle, customizable, small dimensions, that has been designed to improve the mobility as working as leisure.

TROMBER EQUIPATION

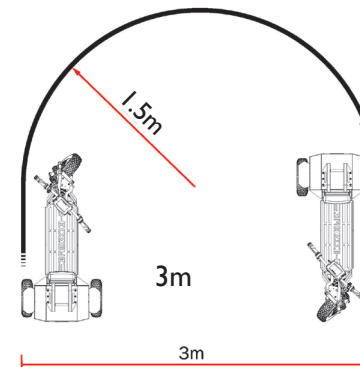
The standard equipation of **TROMBER** is:

- **Front basket**
- **Mudguard**
- **Backrest** for a confortably driving.

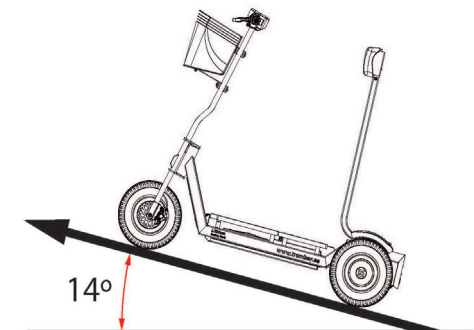
ACCESSORIES

- **Intelligent Charger System (ICS)** offers you an agility system for re-charging **TROMBER**.
- **Geolocation GPS** to keep the control of any movement of the equipment.

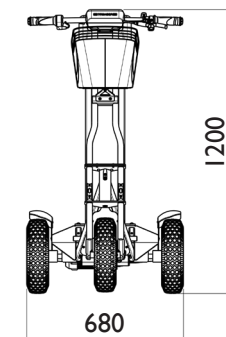
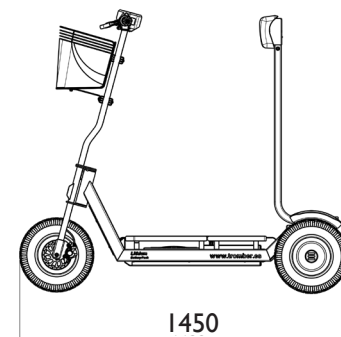
Turning radius **TROMBER**



Maximum slope **TROMBER**



Measures **TROMBER**



TROMBER

electric transport solutions

TROMBER



TROMBER POLICE



TROMBER TRASH

TROMBER

electric transport solutions

www.tromber.es

info@tromber.es

(+34) 935 606 911 C/Antoni Tàpies 10-12, Nave H 08213 Polinyà, Barcelona



www.tromber.es