

## TROMBER GENERAL INFOMATION

**TROMBER** is an electric vehicle. Has been designed to offer an improvement in work conditions.

It gives you an economic efficiency, with security and confort on driving.

**TROMBER** is 100% electric, without any carburant consumption and respectful with the enviroment.

## TECHNICAL SPECIFICATIONS OF TROMBER

### ELECTRIC EQUIPMENT

**48V** Operating tension

**500 W** Brushless Motor

**20A** Lithium battery

### AUTONOMY/CHARGER

**4 h** Time to charge

**35 Km** Autonomy

**5 years** useful life

### FEATURES

**Carbon steel chassis**

**Ø370 mm** Front wheel

**Ø320 mm** Rear wheel

### GENERAL MEASURES

**680 x 1450 x 1200 mm** Dimensions

**50 Kg** equipment weight

**250 Kg** Gross weight



## TROMBER PICKING

**TROMBER Picking**, is an electric vehicle, of small dimensions, customizable, optimus for the transport of everything that you need.

### STANDARD EQUIPATION TROMBER PICKING

**TROMBER Picking** is equipped with:

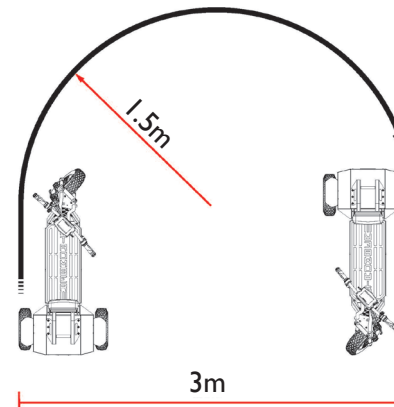
- **Rear load capacity** (customizable) it allows the agility of logistic process.

### ACCESSORIES

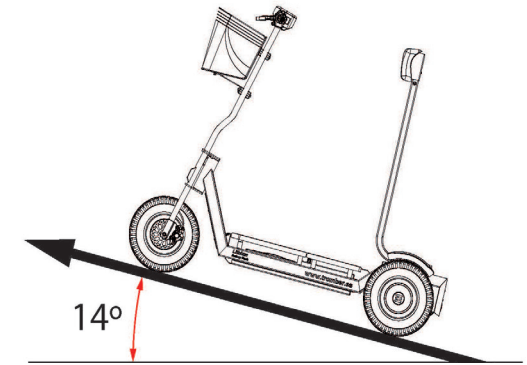
- **Intelligent Charger System (ICS)** offers you an agility system for re-charging **TROMBER**.

- **Geolocation GPS** to keep the control of any movement of the equipment.

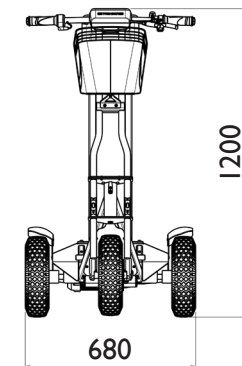
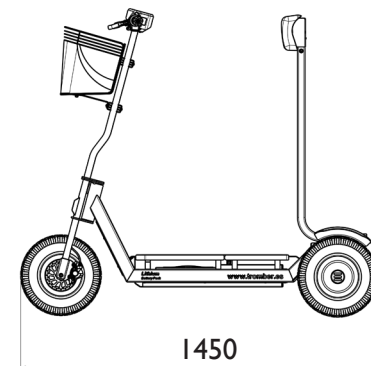
**TROMBER** turning radius



**TROMBER** maximum slope



**TROMBER** measures



**TROMBER**

electric transport solutions

**TROMBER  
PICKING**



[www.tromber.es](http://www.tromber.es)



**TROMBER POST**



**TROMBER TRASH**

**TROMBER**

electric transport solutions

[www.tromber.es](http://www.tromber.es)

[info@tromber.es](mailto:info@tromber.es)

(+34) 935 606 911 C/Antoni Tàpies 10-12, Nave H 08213 Polinyà, Barcelona